

### 3. android 2d

OCBP - M83

## Product Description

3.1  
 3.1.1  
 3.1.1.1 Android App;  
 3.1.1.2 bartender  
 3.1.1.3  
 3.1.1.4;  
 3.1.1.5 50mm;  
 3.1.1.6  
 3.1.1.7/3.1.1.8/3.1.1.9  
 3.1.1.10 Android/iOS  
 3.1.1.11 2600mAh 7.4V 14.8Wh  
 3.1.1.12 5  
 3.1.1.13 90  
 3.1.1.14 ESC / POS / JPL / TSPL / CPCL 4  
 3.1.1.15 360  
 3.1.1.16 IP54

3.2

3.2.1	3.2.1.1
3.2.1.2	ESC / POS / TSPL / JPL
3.2.1.3	72 * 576
3.2.1.4	90 /
3.2.1.5	8 / mm 203dpi
3.2.1.6	79.5 ± 0.5mm × 50.0mm
3.2.1.7	0.06 ~ 0.12mm
3.2.1.8	/
3.2.1.9	USB
3.2.1.10	256KB
3.2.1.11	9V DC / 1A
3.2.1.12	4-5
3.2.1.13	2600mAh 7.4V 14.8Wh
3.2.1.14	5
3.2.1.15	50KM
3.2.1.16	
3.2.1.17	-10 ~ 50°C 10 ~ 90
3.2.1.18	-20 ~ 70°C 5 ~ 95
3.2.1.19	30 ASCII
3.2.1.20	"1234" 6
3.2.1.21	0.56kg / 0.7kg
3.2.1.22	13.5 * 13.5 * 11

# 3 Inch Industrial Grade Bluetooth Thermal label Printer

## Application scenario



Hospital



Logistics



Jewelry



Bank



Supermarket



Repast



# 01 One machine for all

Support Receipts/Labels/Shipping Labels Printing

Thermal type printing, no need ribbon

Only need a machine,  
a roll of labels and a mobile to print,  
more economical without ribbon.



# Self-Developed APP 02

Support Voice Input /Graphic Recognition/Scanning Recognition and other functions

## Voice Input

Speak toward the mobile, can convert the voice to text automatically



## Graphic Recognition

Real time pictures taking and convert to text, can do further editions



## Barcode Scanning Input

Scan the barcode with mobile, can convert the scanning content to text or barcode



03

## The Second Development Supported

Self-Developed, The Second Development Supported, Customization Supported



# OLED High-definition Display

The Front Side Details

# 04



## The Front Side Details

Adjustable Roller

High Capacity Paper Holder

OLED High-definition Display

Commands Types:

ESC/JPL: Receipt Printing

TSPL: Label Printing

CPCL: Shipping Labels Printing

Paper Types:

Continuous paper for receipt

Paper with gaps for labels

05

## Waterproof and Shock-Resistant

IP54 Grade, Support Printing in Rainy days and outdoor



360 overall protection

Shock-resistant and have longer life



Shock-resistant designs

Edge covered to resistant dropping  
and cushion the impact force



# Rechargeable High Capacity Battery

Can Print 5 hours continuously, 7 days long standby time

06



## The Rear Side Details

2600mAh/7.4V Rechargeable High Capacity Battery  
Can Print 5 hours continuously, 7 days long standby time

Potable for Convenient Operations



# 07

## Intelligent Cloud Template

There are different template for different industries, can edit contents randomly, can print immediately



# Android/IOS+Computer

Multiple connecting methods

# 08



Android

+



IOS

+



Computer

# 09

## EXCEL import the sheet

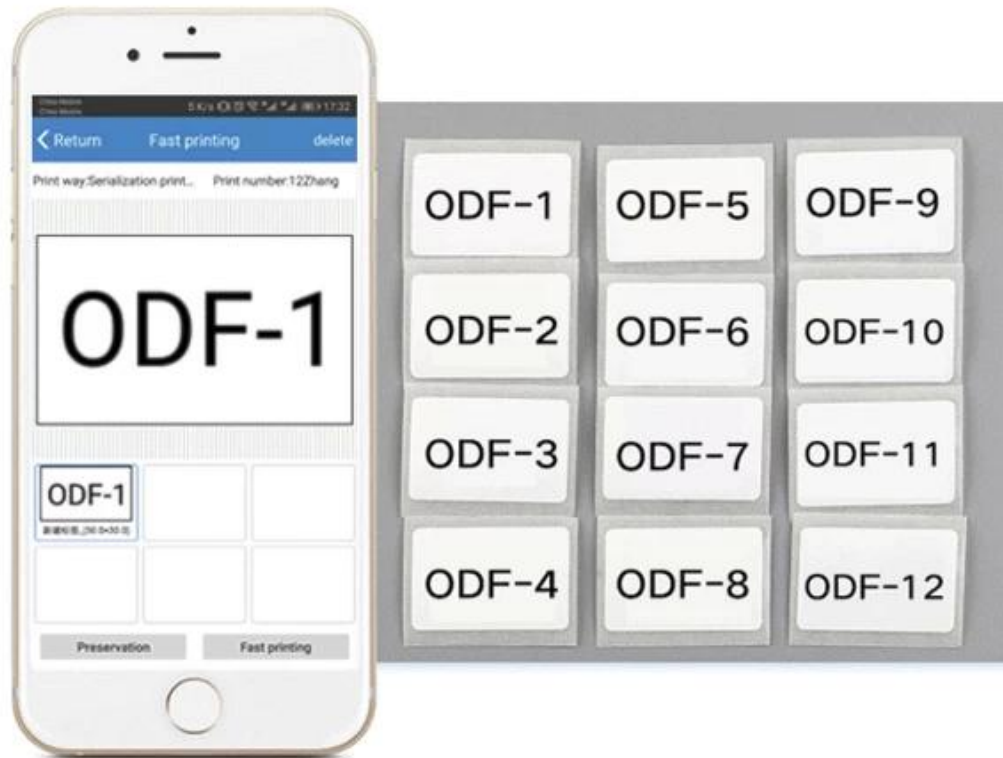
Input items' information with EXCEL and import the sheet



# Mass labels printing

Printing software to realize mass labels printing

10





OCBP-M83



USB Cable



Power Adapter



Battery



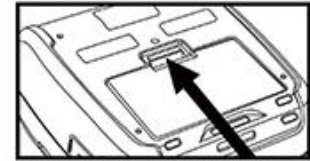
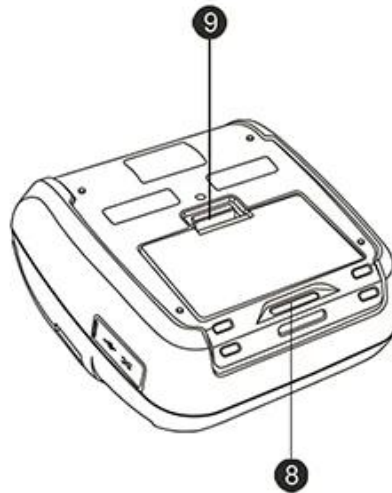
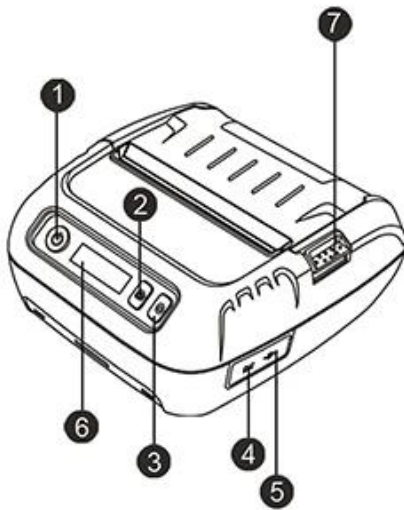
Paper Roll



Roller



Installation Instruction



⚠ Reminder: Press and push battery button up

**Button**

- ① Power Key
- ② Function Key
- ③ FEED Key

**Port**

- ④ Charging Port
- ⑤ USB Port

**Other**

- ⑥ OLED Screen
- ⑦ Cover Switch

- ⑧ Hook
- ⑨ Battery Button

## ▶ Company





OCOM

500 100

12 + 1 24

30 DOA DOA

4.

T / T LC Western Union Escrow T / T Western Union Escrow Paypal Moneybookers Visa MasterCard Maestro Solo Carte Bleue Pos tePay CartaSi 4B Euro6000

5.

6.

Eruopean

159 2300 O2 500 50

OCOM

- 500 POS
- O2 Star .....
- 2300 159
- 11 OEM / ODM
- POS
- 
- ISO FCC CE Soncap POA BIS
- 12 + 1
- “ ”
- 

OCOM Technologies Ltd. TUV POS Auto-ID

OCOM POS POS POS POS ISO CE FCC

OCOM “ ” OEM / ODM