

Handheld Barcode Scanner / Receipt Printer

OCBP - M83

Product Description

Features

- Handheld barcode scanner;
- Android App;
- Bartender software;
- Receipt printer;
- 50mm receipt width;
- Thermal printing;
- ESC/POS / PPL / TSPL / CPCL 4-in-1;
- Android / iOS;
- 2600mAh / 7.4V 14.8Wh battery;
- 5-inches display 700x1200dpi;
- 90° rotation;
- ESC / POS / PPL / TSPL / CPCL 4-in-1;
- 360° rotation;
- IP54 protection.

Specifications

Barcode	Barcode
Barcode	ESC / POS / TSPL / ZPL
Resolution	720x576
Resolution	90°/°
Resolution	8 / mm / 203dpi
Resolution	79.5±0.5mm×50.0mm
Resolution	0.06~0.12mm
Resolution	ESC/POS
Resolution	USB
Resolution	256KB
Resolution	9V DC / 1A
Resolution	4-5 inch
Resolution	2600mAh / 7.4V 14.8Wh
Resolution	5-inches display 700x1200dpi
Resolution	50KM
Resolution	IP54 protection

□□□□	□□□-10~50°C□□□□10□~90□
□□□□	□□□-20~70°C□□□□5□~95□
□□□□	□□□□□□□□□□□□□□30□ASCII□□□□
□□	□□□□□□□□□□“1234”□□□□□□□□□□□□□□□□6□□□□
□□	□□□0.56kg /□□□□□□0.7kg /□
□□□□	13.5 * 13.5 *11□□

3 Inch Industrial Grade Bluetooth Thermal label Printer

Application scenario



01 One machine for all

Support Receipts/Labels/Shipping Labels Printing

Thermal type printing, no need ribbon

Only need a machine,
a roll of labels and a mobile to print,
more economical without ribbon.



Self-Developed APP 02

Support Voice Input /Graphic Recognition/Scanning Recognition and other functions

Voice Input

Speak toward the mobile, can convert the voice to text automatically



Graphic Recognition

Real time pictures taking and convert to text, can do further editions



Barcode Scanning Input

Scan the barcode with mobile, can convert the scanning content to text or barcode



03

The Second Development Supported

Self-Developed, The Second Development Supported, Customization Supported



OLED High-definition Display

The Front Side Details

04



The Front Side Details

Adjustable Roller

High Capacity Paper Holder

OLED High-definition Display

Commands Types:

ESC/JPL: Receipt Printing

TSPL: Label Printing

CPCL: Shipping Labels Printing

Paper Types:

Continuous paper for receipt

Paper with gaps for labels

05

Waterproof and Shock-Resistant

IP54 Grade, Support Printing in Rainy days and outdoor



360 overall protection

Shock-resistant and have longer life



Shock-resistant designs

Edge covered to resistant dropping
and cushion the impact force



Rechargeable High Capacity Battery

Can Print 5 hours continuously, 7 days long standby time

06



The Rear Side Details

2600mAh/7.4V Rechargeable High Capacity Battery
Can Print 5 hours continuously, 7 days long standby time

Potable for Convenient Operations

07

Intelligent Cloud Template

There are different template for different industries, can edit contents randomly, can print immediately



Android/IOS+Computer

Multiple connecting methods

08



Android

+



IOS

+



Computer

09

EXCEL import the sheet

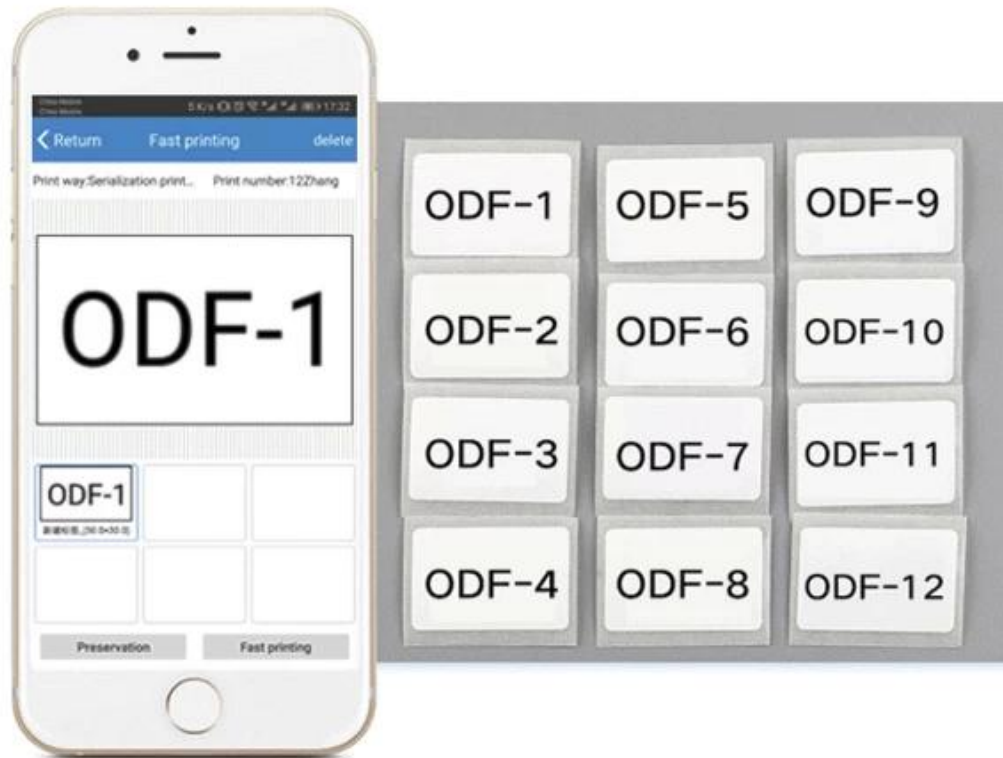
Input items' information with EXCEL and import the sheet



Mass labels printing

Printing software to realize mass labels printing

10





OCBP-M83



USB Cable



Power Adapter



Battery



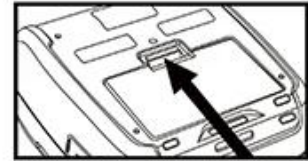
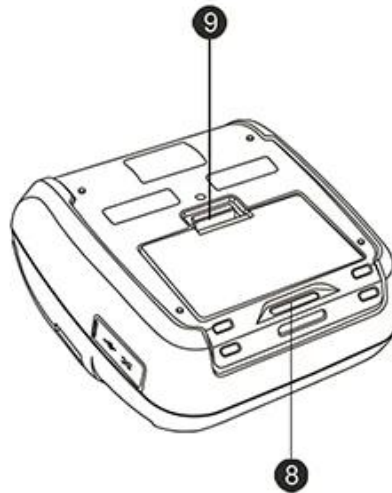
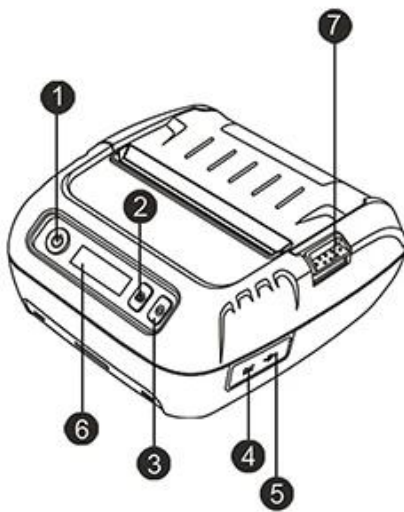
Paper Roll



Roller



Installation Instruction



! Reminder: Press and push battery button up

Button

- ① Power Key
- ② Function Key
- ③ FEED Key

Port

- ④ Charging Port
- ⑤ USB Port

Other

- ⑥ OLED Screen
- ⑦ Cover Switch

- ⑧ Hook
- ⑨ Battery Button

▶ Company



► Certificates



► Payment



► Contact us

5. 公司

公司

6. 公司

公司 European 公司

公司 159 公司 2300 公司 O2 公司 500 公司 公司 50 公司

公司 OCOM 公司

- 公司 500 公司 POS 公司
- 公司 O2 Star
- 2300 公司 159 公司;
- 11 公司 OEM / ODM 公司
- POS 公司
- 公司
- ISO 公司 FCC 公司 CE 公司 Soncap 公司 POA 公司 BIS 公司
- 12 + 1 公司
- “公司”
- 公司

公司

OCOM Technologies Ltd. 公司 TUV 公司 POS 公司 Auto-ID 公司

OCOM 公司 POS 公司 POS 公司 POS 公司 POS 公司 ISO 公司 CE 公司 FCC 公司

OCOM 公司 “公司” 公司 OEM / ODM 公司

公司