

# Android mini USB 80mm

## OCBP - M83

### Product Description

000

000000000000;  
 000000000000Android App;  
 00bartender00  
 0000000000  
 0000000000000000000000;  
 0050mm0000;  
 0000000000  
 00000000/000000/00000000  
 00Android0IOS  
 2600mAh07.4V 14.8Wh00000  
 0000050000000000070  
 9000/00000000;  
 00ESC / POS0JPL0TSPL0CPCL040000;  
 3600000000000000  
 IP54000000000000000000

000

0000	00000
0000	ESC / POS0TSPL0ZPL00
00000000	00= 7200005760
0000	009000/0
000	80/ mm0203dpi0
0000	79.50±0.5mm×0050.0mm
0000	0.0600.12mm
000	00000/00
00	USB000
0	256KB
000000	9V DC / 1A
0000	4-5000
0000	2600mAh07.4V 14.8Wh
0000	0050000000000070
0000000	50KM
0000	00000000000
0000	0000-10~50°C00000100~900
0000	0000-20~70°C0000050~950
0000	0000000000000000300ASCII0000
00	0000000000"1234"0000000000000000000000060000
00	00000.56kg /000000.7kg /0
0000	13.5 * 13.5 *1100

# 3 Inch Industrial Grade Bluetooth Thermal label Printer

## Application scenario



Hospital



Logistics



Jewelry



Bank



Supermarket



Repast



# 01 One machine for all

Support Receipts/Labels/Shipping Labels Printing

Thermal type printing, no need ribbon

Only need a machine,  
a roll of labels and a mobile to print,  
more economical without ribbon.



# Self-Developed APP 02

Support Voice Input /Graphic Recognition/Scanning Recognition and other functions

## Voice Input

Speak toward the mobile, can convert the voice to text automatically



## Graphic Recognition

Real time pictures taking and convert to text, can do further editions



## Barcode Scanning Input

Scan the barcode with mobile, can convert the scanning content to text or barcode



03

## The Second Development Supported

Self-Developed, The Second Development Supported, Customization Supported



# OLED High-definition Display

The Front Side Details

# 04



## The Front Side Details

Adjustable Roller

High Capacity Paper Holder

OLED High-definition Display

Commands Types:

ESC/JPL: Receipt Printing

TSPL: Label Printing

CPCL: Shipping Labels Printing

Paper Types:

Continuous paper for receipt

Paper with gaps for labels

05

## Waterproof and Shock-Resistant

IP54 Grade, Support Printing in Rainy days and outdoor



360 overall protection

Shock-resistant and have longer life



Shock-resistant designs

Edge covered to resistant dropping  
and cushion the impact force



# Rechargeable High Capacity Battery

Can Print 5 hours continuously, 7 days long standby time

06



## The Rear Side Details

2600mAh/7.4V Rechargeable High Capacity Battery  
Can Print 5 hours continuously, 7 days long standby time

Potable for Convenient Operations



# 07

## Intelligent Cloud Template

There are different template for different industries, can edit contents randomly, can print immediately



# Android/IOS+Computer

Multiple connecting methods

# 08



Android

+



IOS

+



Computer

# 09

## EXCEL import the sheet

Input items' information with EXCEL and import the sheet



# Mass labels printing

Printing software to realize mass labels printing

10





OCBP-M83



USB Cable



Power Adapter



Battery



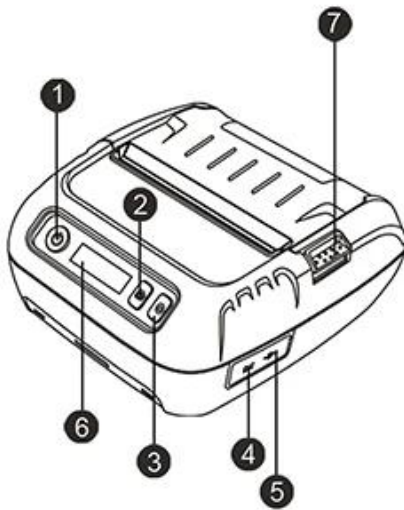
Paper Roll



Roller



Installation Instruction



⚠ Reminder: Press and push battery button up

**Button**

- ① Power Key
- ② Function Key
- ③ FEED Key

**Port**

- ④ Charging Port
- ⑤ USB Port

**Other**

- ⑥ OLED Screen
- ⑦ Cover Switch

- ⑧ Hook
- ⑨ Battery Button

## ▶ Company



## ► Certificates



## ► Payment



## ► Contact us



Monica Fu



## OCOM Technologies Limited

**Add:** 4/F, Block10, Zhongxing Industrial Park, Chuangye Road, Nanshan District, Shenzhen 518054, China

**Tel:** 0086.755.8605.3207 ext 801

**Fax:** 0086.755.8605.3207 ext 868

**Web:** [www.ocominc.com](http://www.ocominc.com)

**E-mail:** [sales01@ocominc.com](mailto:sales01@ocominc.com), [sales01@ocomtech.com.cn](mailto:sales01@ocomtech.com.cn)

**Skype:** ocomsales01; **MSN:** ocomsales01@hotmail.com

**Ali TM:** cn1001868228; **QQ:** 1483705401

**Mobile/Wechat/Whatsapp:** 0086.189 4871 3992



Reliable One-Stop Supplier for POS and Auto-ID Related Products