

OCBS -F2202 1D 2D  
M / N OCBS -F2202

OCBS

F2202 PDF417 QR .F2202 LCD

VTM ATM

F2202 F2202

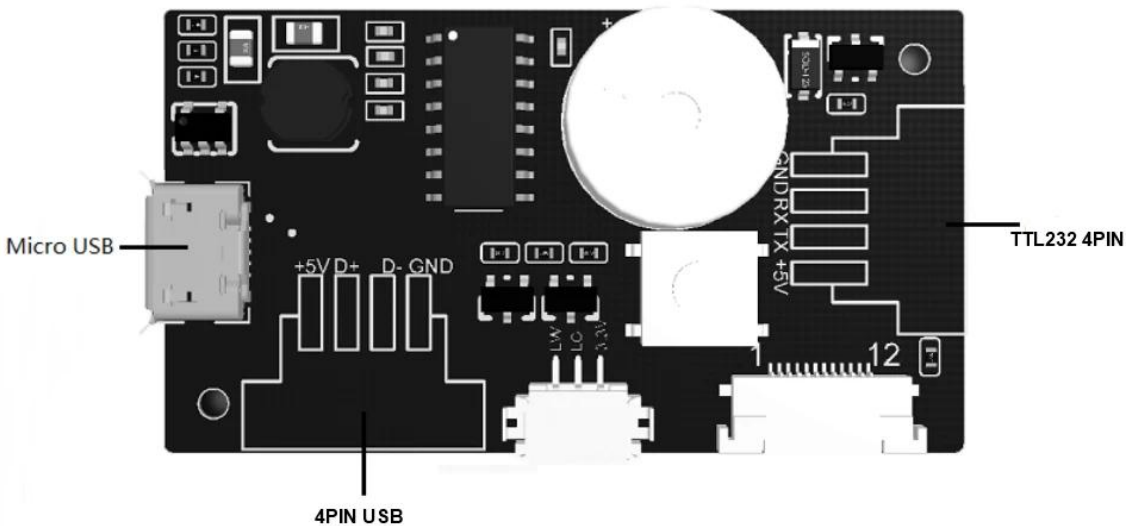
F2202 F2202 F2202

F2202 2

OCBS

- F2202 Micro USB USB
- Micro USB USB

USB 4 PIN USB RS232



F2202 TTL RS-232 RS232

F2202 TTL 1200 bps 115200 bps

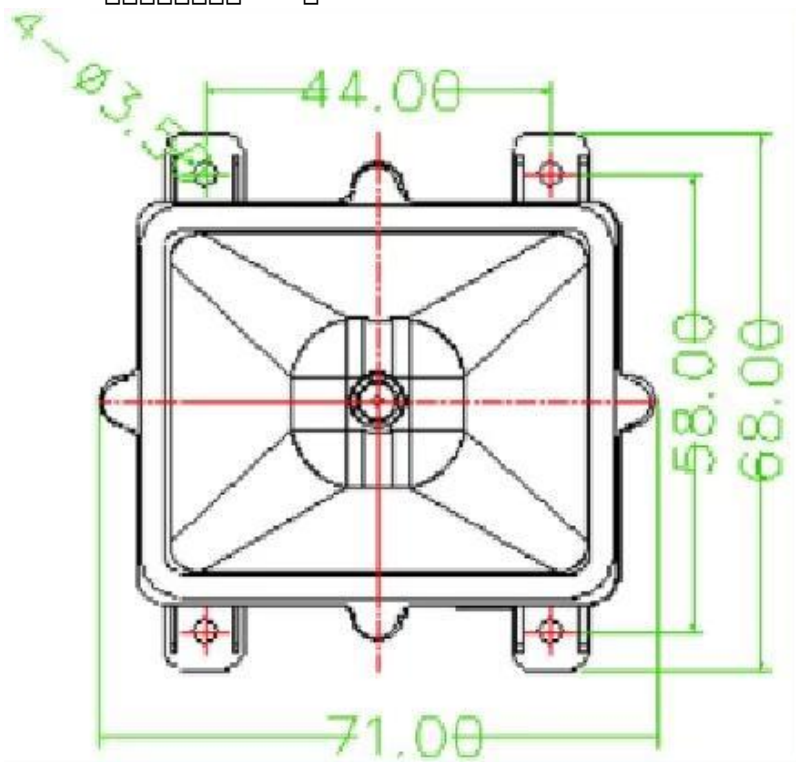
F2202 9600bp 8 1

- F2202 USB
- USB HID-KBW USB PC
- USB USB PC

OCBS	
OCBS	
OCBS	CMOS
OCBS	642 * 484
OCBS	USB1.1 TTL-232 RS-232
OCBS	EAN13 0-45mm @ 13mil 0-40mm @ 15mil

□□□□	20□
□□□□	□□360°□□±40°□□±30°
□□1D	Code 128□EAN-13□EAN-8□Code 39□UPC-A□UPC-E□Codabar□Interleaved 2 of 5□ITF-6□ITF-14□ISBN□Code 93□UCC / EAN-128□GS1 Databar□Matrix 2 of 5□Code 11□□□2□5□□□□□2□5
□□2D	QR Code□PDF417□Data Matrix
□□□□	
□□	4.5~5.5 V DC
□□□□	236□□
□□□□	198□□

**F2202**□□□□□□□□mm□



**F2202**□□□□□□□□mm□

