

80 USB
OCBP - M83

Product Description

;
 Android App;
 bartender
 ;
 50mm;
 ;
 / /
 Android IOS
 2600mAh 7.4V 14.8Wh
 5
 90 /
 ESC / POS JPL TSPL CPCL 4;
 360
 IP54

	ESC / POS TSPL JPL
	= 72 576
	90 /
	8 / mm 203dpi
	79.5 ± 0.5mm x 50.0mm
	0.06 0.12mm
	/
	USB
	256KB
	9V DC / 1A
	4-5
	2600mAh 7.4V 14.8Wh
	5
	50KM
	-10 ~ 50°C 10 ~ 90
	-20 ~ 70°C 5 ~ 95
	30 ASCII
	"1234" 6
	0.56kg / 0.7kg /
	13.5 * 13.5 * 11

3 Inch Industrial Grade Bluetooth Thermal label Printer

Application scenario



Hospital



Logistics



Jewelry



Bank



Supermarket



Repast



01 One machine for all

Support Receipts/Labels/Shipping Labels Printing

Thermal type printing, no need ribbon

Only need a machine,
a roll of labels and a mobile to print,
more economical without ribbon.



Self-Developed APP 02

Support Voice Input /Graphic Recognition/Scanning Recognition and other functions

Voice Input

Speak toward the mobile, can convert the voice to text automatically



Graphic Recognition

Real time pictures taking and convert to text, can do further editions



Barcode Scanning Input

Scan the barcode with mobile, can convert the scanning content to text or barcode



03

The Second Development Supported

Self-Developed, The Second Development Supported, Customization Supported



OLED High-definition Display

The Front Side Details

04



The Front Side Details

Adjustable Roller

High Capacity Paper Holder

OLED High-definition Display

Commands Types:

ESC/JPL: Receipt Printing

TSPL: Label Printing

CPCL: Shipping Labels Printing

Paper Types:

Continuous paper for receipt

Paper with gaps for labels

05

Waterproof and Shock-Resistant

IP54 Grade, Support Printing in Rainy days and outdoor



360 overall protection

Shock-resistant and have longer life



Shock-resistant designs

Edge covered to resistant dropping
and cushion the impact force



Rechargeable High Capacity Battery

Can Print 5 hours continuously, 7 days long standby time

06



The Rear Side Details

2600mAh/7.4V Rechargeable High Capacity Battery
Can Print 5 hours continuously, 7 days long standby time

Potable for Convenient Operations

07

Intelligent Cloud Template

There are different template for different industries, can edit contents randomly, can print immediately



Android/IOS+Computer

Multiple connecting methods

08



Android

+



IOS

+



Computer

09

EXCEL import the sheet

Input items' information with EXCEL and import the sheet



Mass labels printing

Printing software to realize mass labels printing

10





OCBP-M83



USB Cable



Power Adapter



Battery



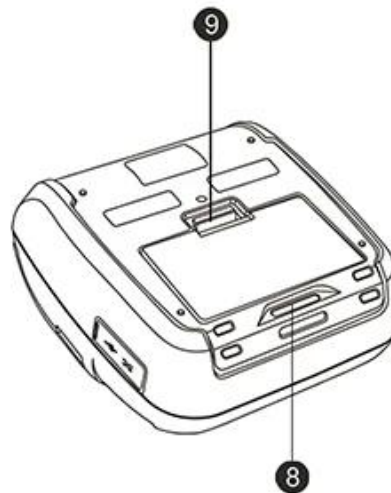
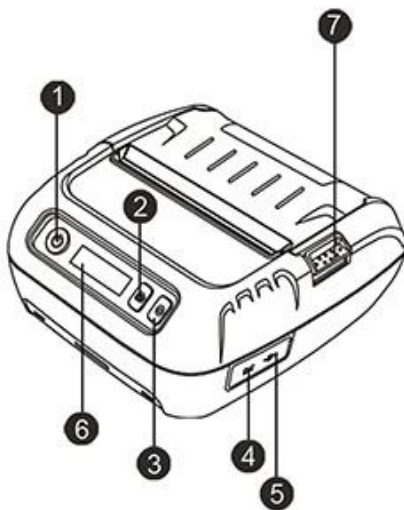
Paper Roll



Roller



Installation Instruction



⚠ Reminder: Press and push battery button up

Button

- ① Power Key
- ② Function Key
- ③ FEED Key

Port

- ④ Charging Port
- ⑤ USB Port

Other

- ⑥ OLED Screen
- ⑦ Cover Switch

- ⑧ Hook
- ⑨ Battery Button

▶ Company



OCOM

500 100

12 + 1 24

30 DOA DOA

4.

T / T LC Western Union Escrow T / T Western Union Escrow Paypal Moneybookers Visa MasterCard Maestro Solo Carte Bleue Pos tePay CartaSi 4B Euro6000

5.

6.

Eruopean

159 2300 O2 500 50

OCOM

- 500 POS Auto-ID
- O2 Star
- 2300 159
- 11 OEM / ODM
- POS
-
- ISO FCC CE Soncap POA BIS
- 12 + 1
- “ ”
-

OCOM Technologies Ltd. TUV POS Auto-ID

OCOM POS POS POS POS ISO CE FCC

OCOM “ ” OEM / ODM