

Interface

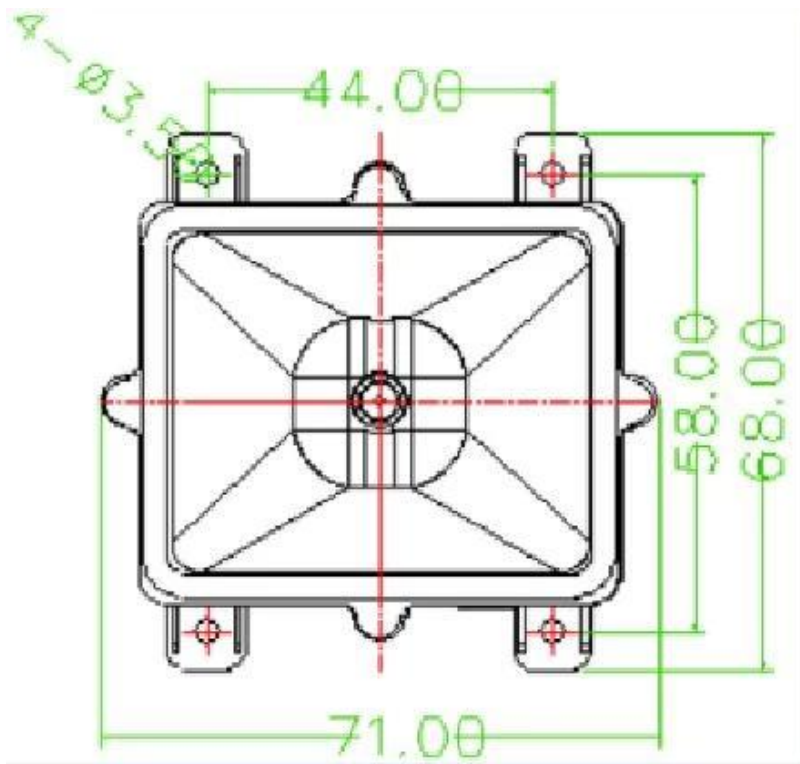
F2202 communicates with host computer through TTL level signal, this interface can adapt to most system architecture. For some systems need to use RS-232 form architecture, optional serial connection line can be directly transferred to the RS232 communication.

The TTL serial communication interface available on F2202 can support 1200 bps to 115200 bps rates. The default configuration of F2202's serial communication interface is 9600bp, 8-bit data bits. No check, 1 bit stop bit.

- In addition, F2202 can communicate through two USB modes:
- USB HID-KBW, USB-based keyboard analog device, can be directly connected to PC use, do not need to install drivers.
- USB virtual serial port, USB-based serial communication analog equipment, can be directly connected to PC use, need to install drivers.

Specifications	
Physical Characteristics	
Sensor	CMOS
Sensor Revolution	642*484
Interface	USB1.1□Standard□TTL-232□Optional□, RS-232□Optional)
Reading Distance	EAN13□0-45mm @13mil□ QR Code□0-40mm @15mil□
Printing contrast	20%
Scan Angel	Roll 360° Pitch ±40° Skew ±30°
Symbologies 1D	Code 128, EAN-13, EAN-8, Code 39, UPC-A, UPC-E, Codabar, Interleaved 2 of 5, ITF-6, ITF-14, ISBN, Code 93, UCC/EAN-128, GS1 Databar, Matrix 2 of 5, Code 11, Industrial 2 of 5, Standard 2 of 5
Symbologies 2D	QR Code ,PDF417, Data Matrix
Electrical parameters	
Voltage	4.5~5.5 V DC
Max Current	236mA
Operating Current	198mA

Top view of F2202 (unit: mm)



F2202 side view (unit: mm)

