

Android Portable POS Terminal with 58mm thermal Printer

(M/N: POS-Q1/Q2)

Features:



Android 8.1 operating system;

2G/3G/4G communication for Optional;

Q1: 4G, Quad core MTK6737,1.25GHZ Processor;

Q2: 3G, Quad core MTK6580,1.3GHZ Processor;

2G RAM+16G Storage for Q1;

1G RAM+8G Storage for Q2;

Built-in high speed 58mm thermal printer module;

Built-in 5 megapixels camera;

Built-in large volume speaker;

CCD Barcode scanner for optional;

NFC (HF) function for optional;

Support 12V DC interface charging;

5000mAh large capacity battery.

Spec:

O/S	Android 8.1
CPU	Quad core MTK6737,1.25GHZ (Q1,4G) / Quad core MTK6580,1.3GHZ (Q2,3G)
RAM	1GB for Q2 /2GB for Q1
Flash	8GB Flash for Q2 / 16GB Flash for Q1
Display	5.5" HD Screen, Highest Resolution 1280 x 720
Touch	Capacitive Multi point Touch
Camera	5,000,000 Fixed Focus
Scanner	1D CCD Scanner (Option)
RFID	13.56MHZ 14443A NFC (HF)
Network	GSM900/1800 WCDMA2100 TD-SCDMA:B34 B39/ FDD-LTE:B1 B3 / TDD-LTE:B38 B39 B40 B41
Bluetooth	Bluetooth 4.0
WIFI	WIFI 802.11 b.g.n
Speaker	1W Single Channel
Microphone	MIC Input
Button	Power button, Scan Button
I/O	Charging Socket, USB, SIM Slot
Battery	7.4V / 5000mAh
Printer	58mm Thermal Receipt Printer, Printing Speed 90mm/s, Work Life 50 Km
Paper Roll	Max Diameter 42mm
Power Adapter	Input□100-240V/1.5A 50/60Hz Output□12V 1A
Dimension	209.2mm (L) x 87.4mm (W) x 51.7mm (H)

SMART Handheld POS Terminal

MULTI-PLATFORM AUTOMATIC PRINTING
easy to deal with a variety of working environment





High Speed Printing



Touch HD screen



Multi-version connection



5 million pixels



Large volume speaker



Large capacity battery



Ultra-thin portable



Smart core

Multiple versions Connection options

Support full Net-com, Bluetooth, WIFI multiple versions of connection, Excellent experience



- Support WIFI
- Support Bluetooth 4.0
- 2G/3G/4G communication for optional

Support Download APP from Google Play Store

High Quality and Performance, Your reliable POS



Large paper bin Print more durable

Can accommodate 42mm diameter thermal paper to avoid frequent paper changes and improve printing efficiency.

58mm

Maximum
paper width

42mm

Maximum
paper diameter



■ SMART PRINTING

5.5-inch HD IPS Screen

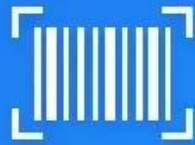
1280*720 resolution, stable every pixel, allowing users to see more clearly



5 Million Rear HD Camera

HD camera quickly identify barcodes QR codes
record important information

CCD Barcode scanner for optional



Scan code



Photo



Video

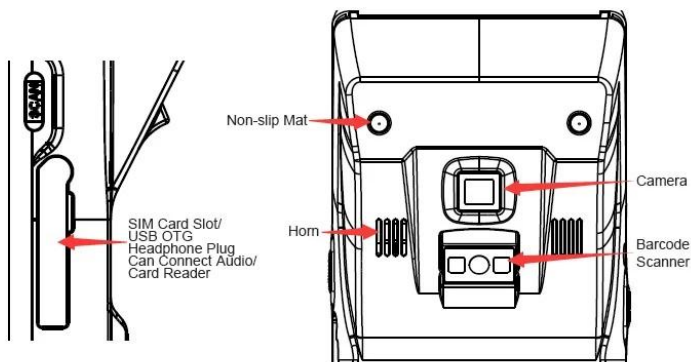
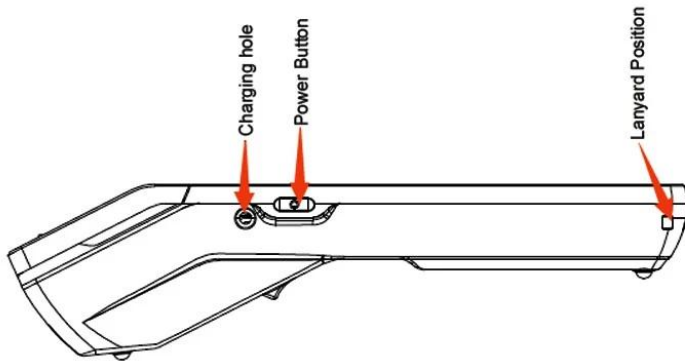
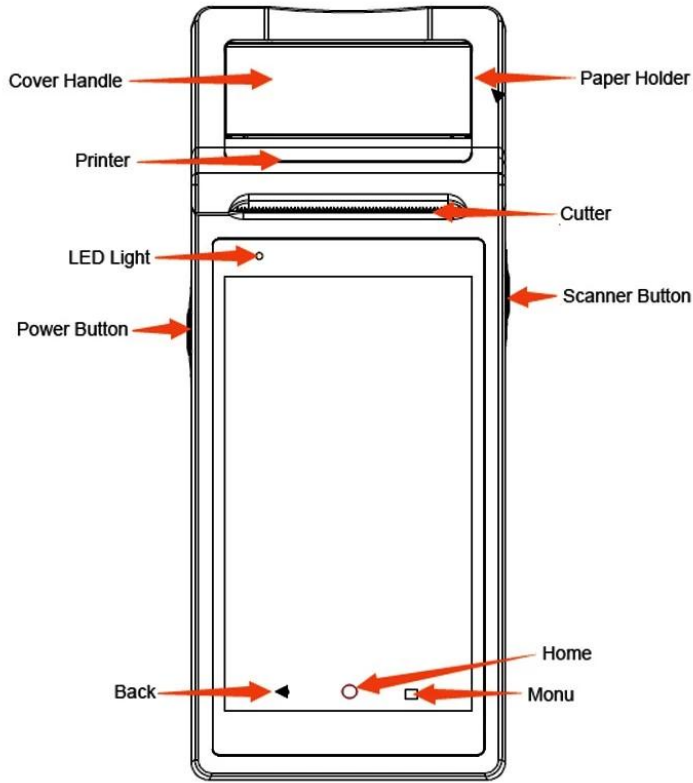


Structure specification

SMART PRINTING



Simple construction Easy operation



Dimensions

SMART PRINTING



209.2*87.4*51.7mm



Manual measurement has slight errors and does not affect the use.

Packaging accessories

SMART-PRINTING



Beautiful packaging, original accessories



- 01 Packing box
- 02 Machine
- 03 User Manual
- 04 Charger

Application



Bar



Restaurant



Coffee Store



Mile Tea Store



Bakery



Convenience Store



Library



Supermarket

Relevant documents:

[POS-Q1/Q2 Spec](#)

[POS-Q1/Q2 SDK](#)

[POS-Q2 Portuguese in Portuguese User's Manual](#)