

Display cliente VFD ad alta luminosità a 2 righe per sistema POS (Modello n .: VFD220A)

specifiche tecniche:

Comunicazione	
Interfaccia:	Porta seriale (RS-232)
Baud rate:	9600bps
Luminosità:	2000CD
Bit di dati:	8bit
Stop bit:	1 bit
Segnale di handshake:	No
Elettrico:	Dalla potenza del computer host DC12 (grande interfaccia 4ps)
Display:	VFD Display fluorescente blu-verde brillante
Visualizza caratteri:	2 righe x 20 caratteri / linea, 40 caratteri, 5 x 7 punti
Area espositiva:	160 mm (L) x 23,8 mm (H)
Dimensione del carattere:	alto 11mm x largo 7mm
MTBF:	25.000 ore
Dimensioni	
Dimensioni del pannello:	80 (H) x 225 (W) x37 (D) mm
Dimensioni di supporto:	Supporto lungo: 480mm (contiene base) Supporto corto: 225mm (contiene base) Dimensioni di base: 185 (L) x95 (w) x25 (H) mm
Angolo di inclinazione del pitch:	45 °, può fornire comodo e regolare l'angolo visivo
Peso:	1,2 kg (lordo)
Ambiente	
Temp di funzionamento:	-20 ~ 70 A18
Temp di archiviazione;	-40 ~ 80 A19
Umidità operativa:	10 ~ 85%
Umidità di stoccaggio:	10 ~ 90%
Set di comandi	
Adottando il comando generale standard internazionale ESC / POS, può essere utilizzato in ambiente DOS o Windows, non richiede alcun driver, Solo in base al formato, l'ordine seriale impostato per inviare i dati può mostrare il contenuto.	
Con la funzione di aprire il cassetto contanti Tutta la direzione regolabile.	

Dettagli del prodotto:



Double Line VFD Customer Display

VFD220A



Product Picture





Features

Simple but not easy

Double lines 20*2 characters VFD display;





Support 13 countries languages;

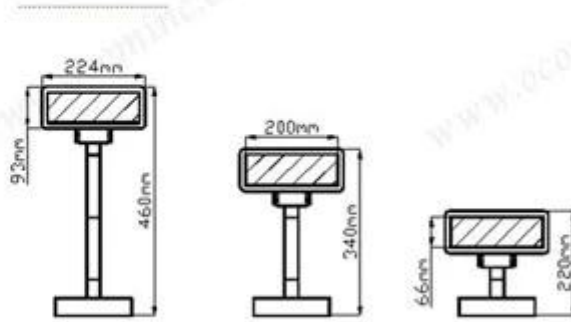
Power may be sourced from system,
with the bracket and cable kit supplied
in typical configuration.



360 degree rotation angle;



Pole height is adjustable;



All-round show





Application Area

Catering: hotel, restaurant, fast-food restaurant, coffee shop, bakery and cake shop

Retailer: Business Street, boutique, department store, cosmetics shop and high-class barbershop

Recreation: sauna, spa, night club, theme park, casino and point of sales for lottery ticket

Commercial: information management terminals for parking lot, inn, aviation, subway, station and wharf



Parameter

Communication	
Interface:	Serial port (RS-232)
Baud rate:	9600bps
Brightness:	2000cd
Data bit:	8bit
Stop bit:	1bit
Handshake signal:	No
Electrical:	By the power of the host computer DC12 (big 4ps interface)
Display:	VFD Bright blue-green fluorescent display
Display characters:	2 line x 20 characters / line, 40 characters, 5 x 7 Dots
Display area:	160mm(W) x 23.8mm(H)
Character size:	high 11mm x wide 7mm
MTBF:	25,000 hours
Dimensions	
Panel dimensions:	80(H) x 225(W)x37(D) mm
Support dimensions:	Long support: 480mm (Contain base) Short support: 225mm (Contain base) Base dimensions: 185(L) x95(w) x25(H) mm
Pitching move angle:	45°, Can provide comfortable, and adjust the visual Angle
Weight:	1.2Kg (gross)
Environment	
Operating Temp:	-20~70 A18
Storage Temp:	-40~80 A19
Operating Humidity:	10~85%
Storage Humidity:	10~90%
Command Set	
Adopting international standard general command ESC/POS, Its can used in DOS or Windows System Environment, Don't need any driver, Only according to the format serial order set to send data can show content.	

With the function of opening the cash drawer All direction adjustable.

Production Line



Capacity

Verified	Product Name	Production Line Capacity	Actual Units Produced(Previous Year)
✓	Thermal Printer	40,000 Sets / Month	250,000 Sets

✓	Dot Matrix Printer	15,000 Sets / Month	10,000 Sets
✓	Bluetooth Printer	30,000 Sets / Month	20,000 Sets
✓	Barcode Scanner	40,000 Sets / Month	20,000 Sets
✓	POS Machine	5,000 Sets / Month	10,000 Sets
✓	Magnetic Card Reader and Writer	45,000 Sets / Month	50,000 Sets

✓ Indicates information has been verified onsite by TUV on 2013.7.15

Quality Assurance

OCOM is dedicated to providing most cost-effective products and services with highest quality that will meet customers' satisfaction.



Since the establishment, OCOM has been sticking strictly to the standard and requirements of ISO9001: 2000 in the processes of research, design, manufacturing and services. OCOM's products have passed CE, FCC, TUV, RoHS and other certifications.

We make strictly IQC, IPQC and OQC inspection per industrial standard. All the products must pass 24-48 hours aging test before shipment. Some designated models can have as long as 24 months warranty.

Test Equipments

Verified	Machine Name	Brand & Model No.	Quantity
✓	Ageing Tester	No Information	6
✓	Withstand Voltage Tester	CC2670A	1
✓	Oscilloscope	TBS1102	1

✓	DC Power Supply	PS-305DM	6
✓	Digital Torque Meter	HP100	1
✓	Calliper	GUANGLU	2
✓	Multi-meter	VC890D	7
✓	Test Computer	No Information	13

✓ Indicates information has been verified onsite by TUV on 2013.7.15

Certifications



Packing and Shipment



Payment



Customers Reference

Over the years, OCOM keep efforts on marking "OCOM" as an internationally recognized brand, and we have established goods relationship with our customers and have friendly communication with each other.





Why you choose us?



Company Profile



Phoebe Hong



OCOM Technologies Limited

Add: 4/F, Block10, Zhongxing Industrial Park, Chuangye Road, Nanshan District, Shenzhen 518054, China

Tel: 0086.755.8605.3207 ext 807

Fax: 0086.755.8605.3207 ext 868

Web: www.ocominc.com

E-mail: sales07@ocominc.com, sales07@ocomtech.com.cn

Skype: [ocomsales07](https://www.skype.com/people/ocomsales07); **MSN:** ocomsales07@hotmail.com

Ali TM: cn1000542707; **QQ:** 3152989359

Mobile/Wechat/Whatsapp: 0086.18948778596



Reliable One-Stop Supplier for POS and Auto-ID Related Products