

2 inch wireless bluetooth portable mini barcode label printer  
(Model Number: OCPP- M11)

**Features:**

- Mini size suitable for portable application;
- Provide Android App more suitable for end users;
- Compatible with bartender software
- Support label interval sensor
- Can change the printer name, password, baud rate online;
- 40mm diameter paper warehouse;
- Loading paper width can be adjusted
- One printer can connected with up to 8 smart devices (7 Android, one Apple device) visa blue tooth(optional);
- 18650 Battery easy to replace
- 90mm/sec print speed;
- TSPL command compatible;

**Specification:**

Print method	Thermal line printing
Print commands	TSPL command
Effective print width	Max=48mm
Print speed	Up to 90mm/sec
Resolution	8 dots/mm(203dpi)
Paper dimensions	58.0±0.1mm x diameter 40.0mm
Paper thickness	0.06 to 0.12mm
Character set	Alphanumeric/ Chinese
Interface	USB,and Bluetooth
Flash	256KB
Power Adapter	9V DC/2A
Battery Power	2 pieces 3.7V 1300mAh18650 Battery series connected to7.4V
Other features	Paper detection, manual shut down
Working conditions	Temperature:-10~50 degC, Humidity:10%~90%
Storage conditions	Temperature:-20~70 degC, Humidity:5%~95%
Device name	Can be customized, letter and digital for option, at max 30 ASCII characters.
Password	Enter default pairing code "1234", it can be customized or change by customer itself. At max 6 digitals.

**Application Area:**

Compared to the traditional thermal receipt printer, mini printer has smaller body, more reliable capability, more steady printing and portable advantages. The Mini printer can work on a lot of locations, such as the TAXI bill printing, administrative fees receipt printing, post receipt printing, restaurant ordering information printing, online payment information printing, etc. With the rapid popularity of smart-mobile, tablet and so on, Mini printer will be more widely used in the near future.

**Key words:**

thermal printer, bluetooth printer, mini printer, portable printer, pos printer, mobile printer, receipt printer, wireless printer, ticket printer, bill printer, qr code printer, pocket printer, invoice printer, mini printer, 58mm bluetooth printer, 2inch bluetooth printer.

**Pictures:**





OCPP-M11

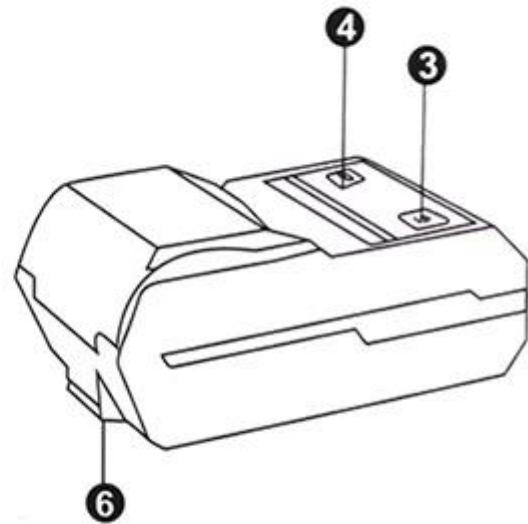
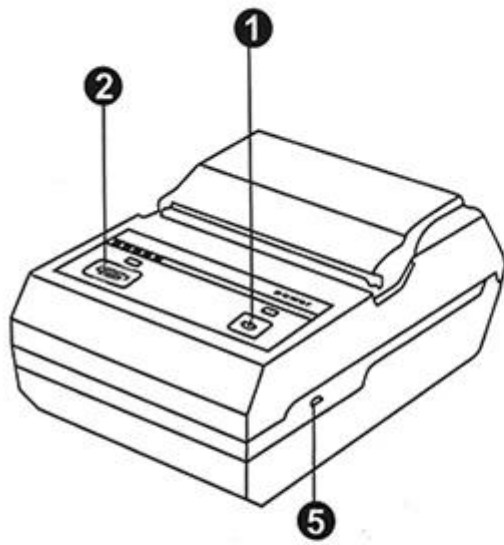




# OCPP-M11



## ▶ Product Details



### Button

- 1. Power Key
- 2. Feeding Key

### LED

- 3. Power Light
- 4. Alarm Light

### Port

- 5. Mini USB Port

### Other

- 6. Hook





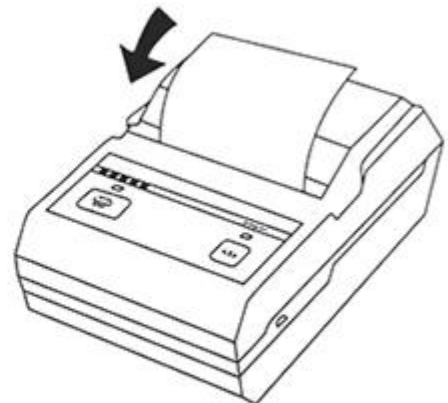
## ▶ Instructions



**Step one**  
Open the cover according  
arrow direction



**Step two**  
Load roll paper according  
arrow direction



**Step three**  
Close the cover

## ▶ Application scenario

Logistics



Warehouse management



Supermarket



Clothing label



Jewelry label



Restaurant



## FAQ

### 1. MOQ policy

No MOQ limitation for the standard products, but the unit price is different, bigger quantity better price.

For customized production, you can discuss the MOQ with our sales representative directly.

### 2. Sample Availability & Policy

After customers confirmed the specification, we are very glad to provide samples for testing and qualification.

All samples should be paid before shipment, the samples price is a higher than mass order. When the mass order placed, we can return you the samples cost, or send you more piece products with the shipments.

You can buy the samples from us directly using t/t, western union, or paypal. And you can also buy it on our online store.

### 3. Warranty

OCOM is dedicated to providing most cost-effective products and services with reliable quality that will meet customers'satisfaction;

We was qualified by global fortune 500 company, and we have the top 1 level trade assurance which 100% protect your money and lead time.

Our warranty of the products is about 12+1 months from the shipment normally, some designated models

can have as long as 24 months warranty;

Any product within 30 days of delivery failure occurs shall be deemed invalid delivery (DOA). DOA products will give priority to the replacement, and shipped by courier.

For mass order, we would like to supply some spare parts with shipment for local quickly repair. And after that, you can returned failure parts for rework and analysis.

#### **4. Payment Terms**

For mass order, you can pay us by using T/T, LC, Western Union, Escrow or others. About samples order, T/T, Western Union, Escrow, Paypal are acceptable. Currently, you can pay using Moneybookers, Visa, MasterCard and bank transfer. You can also pay with select debit cards including Maestro, Solo, Carte Bleue, PostePay, CartaSi, 4B and Euro6000.

#### **5. Shipment**

We accept all kinds of shipping ways including: express, air, sea, truck, or pick up by customers personally.

#### **6. Customer**

Our main customers from European, Australia, and the fast growing South America, Africa, Russia...,

We have served more than 2200 customers from 159 countries, including the global fortune 500 company like Unilever, O2.....50 of them are the biggest distributor in the local territories.

#### **Contact:**

Lyn Lee

OCOM Technologies Limited

Address: 4/F, Block 10, Zhongxing Industrial Park, Chuangye Road, Nanshan District, Shenzhen 518054, China;

Website: [www.ocominc.com](http://www.ocominc.com), [www.possolution.com.cn](http://www.possolution.com.cn) ;

E-mail: [sales14@ocominc.com](mailto:sales14@ocominc.com) ;

Skype: [sales14@ocominc.com](https://www.skype.com/people/sales14@ocominc.com)

MSN: [ocomsales14@hotmail.com](mailto:ocomsales14@hotmail.com) ;

Whatsapp: 86.18948789890;

Wechat: 18948789890(ocomsales14);

Mobile: 86.18948789890;

QQ: 1467261417;

Tel: 0086.755.86053207-814;

Fax: 0086.755.86053207-868.