

Bluetooth Thermal Label Maker Wireless Portable Drop-Resistant Label Printer

(Model Number: OCBP- M83)

Product Description

Features:

- Mini size suitable for portable application;
- Provide Android App more suitable for end users;
- Compatible with bartender software
- Support label interval sensor
- Can change the printer name, password, baud rate online;
- 50mm diameter paper warehouse;
- Loading paper width can be adjusted
- Support Voice Input /Graphic Recognition/Scanning Recognition and other functions
- Compatible with Android and IOS
- 2600mAh,7.4V 14.8Wh high energy battery
- Can Print 5 hours continuously, 7 days long standby time
- 90mm/sec print speed;
- Support ESC/POS,JPL,TSPL,CPCL, 4 kinds of command;
- 360 overall protection,Shock-resistant designs
- IP54 Grade, Support Printing in Rainy days and outdoor.

Specification:

Print method	Thermal line printing
Print commands	ESC/POS,TSPL,JPL command
Effective print width	Max=72mm,576 dots
Print speed	Up to 90mm/sec
Resolution	8 dots/mm(203dpi)
Paper dimensions	79.5.±0.5mm x diameter 50.0mm
Paper thickness	0.06 to 0.12mm
Character set	Alphanumeric/ Chinese
Interface	USB,and Bluetooth
Flash	256KB
Power Adapter	9V DC/1A
Charging time	4-5 hours
Battery Power	2600mAh,7.4V 14.8Wh
Working time	5 hours continuously, 7 days standby time
Printer head life	50KM
Other features	Paper detection, manual shut down
Working conditions	Temperature:-10~50 degC, Humidity:10%~90%
Storage conditions	Temperature:-20~70 degC, Humidity:5%~95%
Device name	Can be customized, letter and digital for option, at max 30 ASCII characters.
Password	Enter default pairing code "1234", it can be customized or change by customer itself. At max 6 digitals.
Weight	Net weight:0.56kg/Set, Gross weight:0.7kg/Set
Single box size	13.5*13.5*11cm

3 Inch Industrial Grade Bluetooth Thermal label Printer

Application scenario



Hospital



Logistics



Jewelry



Bank



Supermarket



Repast



01 One machine for all

Support Receipts/Labels/Shipping Labels Printing

Thermal type printing, no need ribbon

Only need a machine,
a roll of labels and a mobile to print,
more economical without ribbon.



Self-Developed APP 02

Support Voice Input /Graphic Recognition/Scanning Recognition and other functions

Voice Input

Speak toward the mobile, can convert the voice to text automatically



Graphic Recognition

Real time pictures taking and convert to text, can do further editions



Barcode Scanning Input

Scan the barcode with mobile, can convert the scanning content to text or barcode



03

The Second Development Supported

Self-Developed, The Second Development Supported, Customization Supported



OLED High-definition Display

The Front Side Details

04



The Front Side Details

Adjustable Roller

High Capacity Paper Holder

OLED High-definition Display

Commands Types:

ESC/JPL: Receipt Printing

TSPL: Label Printing

CPCL: Shipping Labels Printing

Paper Types:

Continuous paper for receipt

Paper with gaps for labels

05

Waterproof and Shock-Resistant

IP54 Grade, Support Printing in Rainy days and outdoor



360 overall protection

Shock-resistant and have longer life



Shock-resistant designs

Edge covered to resistant dropping
and cushion the impact force



Rechargeable High Capacity Battery

Can Print 5 hours continuously, 7 days long standby time

06



The Rear Side Details

2600mAh/7.4V Rechargeable High Capacity Battery
Can Print 5 hours continuously, 7 days long standby time

Potable for Convenient Operations

07

Intelligent Cloud Template

There are different template for different industries, can edit contents randomly, can print immediately



Android/IOS+Computer

Multiple connecting methods

08



Android

+



IOS

+



Computer

09

EXCEL import the sheet

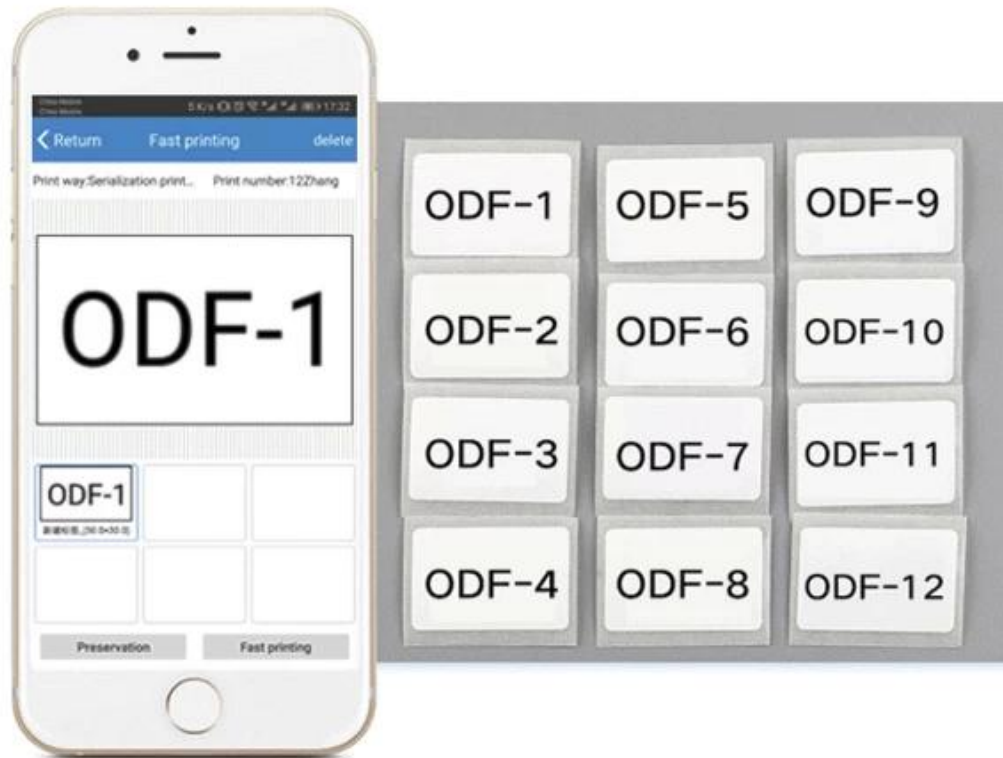
Input items' information with EXCEL and import the sheet



Mass labels printing

Printing software to realize mass labels printing

10





OCBP-M83



USB Cable



Power Adapter



Battery



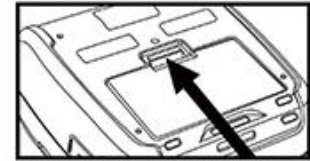
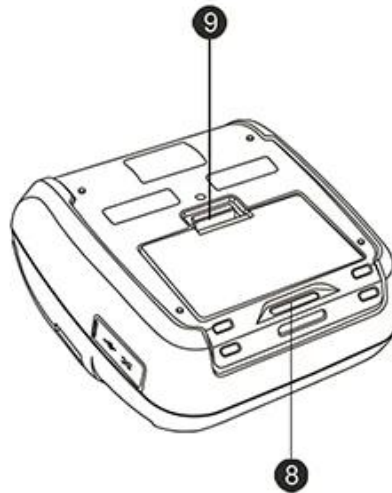
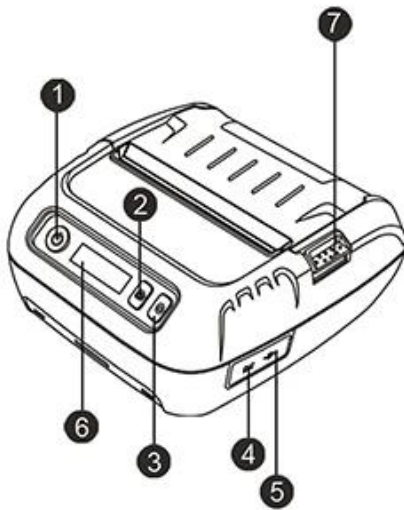
Paper Roll



Roller



Installation Instruction



⚠ Reminder: Press and push battery button up

Button

- ① Power Key
- ② Function Key
- ③ FEED Key

Port

- ④ Charging Port
- ⑤ USB Port

Other

- ⑥ OLED Screen
- ⑦ Cover Switch

- ⑧ Hook
- ⑨ Battery Button

▶ Company



► Certificates



► Payment



► Contact us

FAQ

1. MOQ policy

No MOQ limitation for the standard products, but the unit price is different, bigger quantity better price.

For customized production, you can discuss the MOQ with our sales representative directly.

2. Sample Availability & Policy

After customers confirmed the specification, we are very glad to provide samples for testing and qualification.

All samples should be paid before shipment, the samples price is a higher than mass order. When the mass order placed, we can return you the samples cost, or send you more piece products with the shipments.

You can buy the samples from us directly using t/t, western union, or paypal. And you can also buy it on our online store.

3. Warranty

OCOM is dedicated to providing most cost-effective products and services with reliable quality that will meet customers' satisfaction;

We were qualified by global fortune 500 company, and we have the top 1 level trade assurance which 100% protect your money and lead time.

Our warranty of the products is about 12+1 months from the shipment normally, some designated models can have as long as 24 months warranty;

Any product within 30 days of delivery failure occurs shall be deemed invalid delivery (DOA). DOA products will give priority to the replacement, and shipped by courier.

For mass order, we would like to supply some spare parts with shipment for local quick repair. And after that, you can return failure parts for rework and analysis.

4. Payment Terms

For mass order, you can pay us by using T/T, LC, Western Union, Escrow or others. About samples order, T/T, Western Union, Escrow, Paypal are acceptable. Currently, you can pay using Moneybookers, Visa, MasterCard and bank transfer. You can also pay with select debit cards including Maestro, Solo, Carte Bleue, PostePay, CartaSi, 4B and Euro6000.

5. Shipment

We accept all kinds of shipping ways including: express, air, sea, truck, or pick up by customers personally.

6. Customer

Our main customers from European, Australia, and the fast growing South America, Africa, Russia...

We have served more than 2300 customers from 159 countries, including the global fortune 500 company like Unilever, O2.....50 of them are the biggest distributor in the local territories.

Why You Choose OCOM?

- Leading One-Stop POS and Auto-ID Related Products Supplier Qualified by Global Fortune 500 Companies
- Tier 1 customers including Unilever, O2, Star...
- 2300+ Customers Cover 159 Countries;
- 11 Years OEM/ODM Experience.
- Top 1 Level Trade Assurance in POS industrial guarantee quality and shipment date
- Fast responses and professional service
- ISO, FCC, CE, Soncap, POA, BIS, and other Certificates
- 12+1 months warranty.
- Shortlisted in "China Best Employer Award"
- Belief: Integrity Based, Strive for Excellence, Win-win Cooperation

Company Information

OCOM Technologies Ltd. is the main supplier and manufacturer of POS and Auto-ID related products with TUV verified.

OCOM's products portfolio covers Thermal Printer, Barcode Printer, Dot Matrix Printer, Barcode Scanner, POS Terminal, Magnetic Card Reader, Date terminal, and other POS Peripherals products (Cash Drawer, Customer Display, POS Monitor, POS keyboard, Money counter, Electronical Scale, Thermal Paper), which are widely used for retailing, restaurant, bank, lottery, transportation, logistic, and other applications. We have ISO, CE, FCC and other required certifications.

OCOM's mission is to be the compelling choice for our partners, and our three basic belief are "Integrity based, Strive for excellence, Win-win cooperation". We would like establish stable and reliable partnerships with customers all over the world. OEM/ODM is welcome.

Together we quest for the best.