

▶ Product Description

Problems faced by traditional portable label printers:

- Develop APP is difficult, need to find the programmer to buy expensive software.
- Label paper need to be customized according to the actual application, do not have the flexibility to use.
- There is no interval sensor, the print content will be across the board.
- It is expensive and does not support cross-platform use.

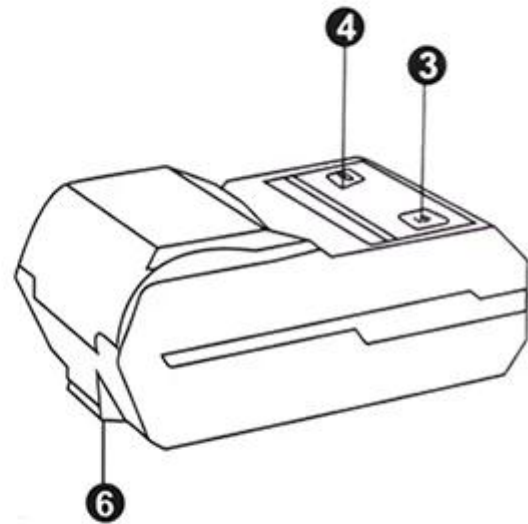
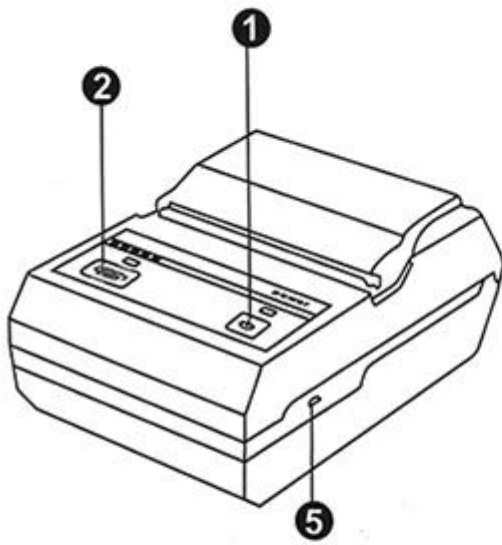
Our printer:

- Mini size suitable for portable application;
- Provide Android App more suitable for end users;
- Compatible with bartender software;
- Support label interval sensor;
- Can change the printer name, password, baud rate online;
- 40mm diameter paper warehouse;
- Loading paper width can be adjusted;
- One printer can be connected with up to 8 smart devices (7 Android, one Apple device) via blue tooth (optional);
- 18650 Battery easy to replace;
- 90mm/sec print speed;
- TSPL command compatible;

▶ Specification:

Print method	Thermal line printing
Print commands	TSPL command
Effective print width	Max=48mm
Print speed	Up to 90mm/sec
Resolution	8 dots/mm(203dpi)
Paper dimensions	58.0±0.1mm x diameter 40.0mm
Paper thickness	0.06 to 0.12mm
Character set	Alphanumeric/ Chinese
Interface	USB, and Bluetooth
Flash	256KB
Power Adapter	9V DC/2A
Battery Power	2 pieces 3.7V 1300mAh 18650 Battery series connected to 7.4V
Other features	Paper detection, manual shut down
Working conditions	Temperature:-10~50 degC, Humidity:10%~90%
Storage conditions	Temperature:-20~70 degC, Humidity:5%~95%
Device name	Can be customized, letter and digital for option, at max 30 ASCII characters.
Password	Enter default pairing code "1234", it can be customized or change by customer itself. At max 6 digitals.

▶ Product Details



Button

- 1. Power Key
- 2. Feeding Key

LED

- 3. Power Light
- 4. Alarm Light

Port

- 5. Mini USB Port
- 6. Hook

Other



▶ Instructions



Step one
Open the cover according
arrow direction



Step two
Load roll paper according
arrow direction



Step three
Close the cover

▶ Application scenario

Logistics



Warehouse management



Supermarket



Clothing label



Jewelry label



Restaurant



FAQ

1. MOQ policy

No MOQ limitation for the standard products, but the unit price is different, bigger quantity better price.

For customized production, you can discuss the MOQ with our sales representative directly.

2. Sample Availability & Policy

After customers confirmed the specification, we are very glad to provide samples for testing and qualification.

All samples should be paid before shipment, the samples price is a higher than mass order. When the mass order placed, we can return you the samples cost, or send you more piece products with the shipments.

You can buy the samples from us directly using t/t, western union, or paypal. And you can also buy it on our online store.

3. Warranty

OCOM is dedicated to providing most cost-effective products and services with reliable quality that will meet customers'satisfaction;

We was qualified by global fortune 500 company, and we have the top 1 level trade assurance which 100% protect your money and lead time.

Our warranty of the products is about 12+1 months from the shipment normally, some designated models can have as long as 24 months warranty;

Any product within 30 days of delivery failure occurs shall be deemed invalid delivery (DOA). DOA products will give priority to the replacement, and shipped by courier.

For mass order, we would like to supply some spare parts with shipment for local quickly repair. And after that, you can returned failure parts for rework and analysis.

4. Payment Terms

For mass order, you can pay us by using T/T, LC, Western Union, Escrow or others. About samples order, T/T, Western Union, Escrow, Paypal are acceptable. Currently, you can pay using Moneybookers, Visa, MasterCard and bank transfer. You can also pay with select debit cards including Maestro, Solo, Carte Bleue, PostePay, CartaSi, 4B and Euro6000.

5. Shipment

We accept all kinds of shipping ways including: express, air, sea, truck, or pick up by customers personally.

6. Customer

Our main customers from European, Australia, and the fast growing South America, Africa, Russia...

We have served more than 2200 customers from 159 countries, including the global fortune 500 company like Unilever, O2.....50 of them are the biggest distributor in the local territories.

Why You Choose OCOM?

- Leading One-Stop POS and Auto-ID Related Products Supplier Qualified by Global Fortune 500 Companies
- Tier 1 customers including Unilever, O2, Star...
- 2200+ Customers Cover 159 Countries;
- 11 Years OEM/ODM Experience.
- Top 1 Level Trade Assurance in POS industrial guarantee quality and shipment date
- Fast responses and professional service
- ISO, FCC, CE, Soncap, POA, BIS, and other Certificates
- 12+1 months warranty.
- Shortlisted in "China Best Employer Award"
- Belief: Integrity Based, Strive for Excellence, Win-win Cooperation

Company Information

OCOM Technologies Ltd. is the main supplier and manufacturer of POS and Auto-ID related products with TUV verified.

OCOM's products portfolio covers Thermal Printer, Barcode Printer, Dot Matrix Printer, Barcode Scanner, POS Terminal, Magnetic Card Reader, Date terminal, and other POS Peripherals products (Cash Drawer, Customer Display, POS Monitor, POS keyboard, Money counter, Electronical Scale, Thermal Paper), which are widely used for retailing, restaurant, bank, lottery, transportation, logistic, and other applications. We have CE, FCC and other required certifications.

OCOM's mission is to be the compelling choice for our partners, and our three basic belief are "Integrity based, Strive for excellence, Win-win cooperation". We would like establish stable and reliable partnerships with customers all over the world. OEM/ODM is welcome.

Together we quest for the best.

*Reliable One-Stop POS Related Products Supplier Who Serving Global Fortune 500 Clients *

Relevant documents:

- [M11 label printer software](#)
- [label_printer_demo_and_sdk.zip](#)