

Bluetooth Thermal Printer

(Model Number: OCPP- M05)

Features:

Support Windows, Android, or iOS, or android+ios OS

Bluetooth, USB and RS232 communication for option.

Higher print speed 90mm/sec.

100km TPH Life.

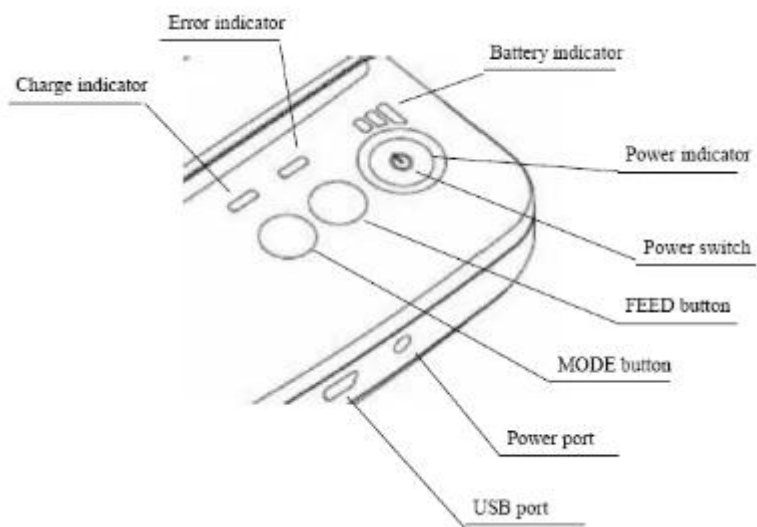
Low power consumption and large capacity Lithium battery.

Specification:

| | |
|---------------------------|---|
| Overall Dimension (WxDxH) | 105x75x45mm |
| Weight | 134g |
| Color | Black |
| Effective print width | 48mm |
| Print method | Thermal line printing |
| Print commands | ESC/POS compatible command set |
| Print speed | Up to 90mm/sec |
| Resolution | 8 dots/mm(203dpi) |
| Print font | 12x24/ 24x24 |
| Column capacity | 32 columns/ 16columns |
| Character size | 1.5 x 3.0 mm(W x H)/ 3.0x3.0mm(WxH) |
| Paper dimensions | 58.0±0.1mm x diameter 40.0mm |
| Paper thickness | 0.06 to 0.08mm |
| Character set | Alphanumeric/ Chinese Kanji |
| Interface | USB, RS-232□Bluetooth (optional) |
| Flash | 256KB |
| Power Adapter | 9V DC/2A |
| Battery Power | 7.4V DC/ 1500mA; battery can stay by for 4-5 days, when it is full power, it can print 120-150m paper |
| Other features | Paper detection, power detection, Manual shut down |
| Working conditions | Temperature:-10°C□50°C, Humidity:10%□90% |
| Storage conditions | Temperature:-20°C□70°C, Humidity:5%□95% |
| Device name | Can be customized, letter and digital for option, at max 30 ASCII characters. |
| Password | Enter default pairing code "1234", it can be customized. At max 6 digitals. |
| Power plug dimension | 3.5*1.1mm |

Description:

[Mini Bluetooth Printer](#) is a portable thermal printer that combines USB, RS-232 Serial and Bluetooth communication interface together, The printer could be powered by car charger, and rechargeable battery (depending on specified models). These special characters make it successfully be applied to a variety of instruments, handheld data printing.



[CHARGE]: Battery charge indicator

[ERROR]: Error indicator

[FEED]: FEED button

[MODE]: MODE button





OCPP-M05







Application Area:

Compared to the traditional thermal receipt printer, Mini printer has smaller body, more reliable capability, more steady printing and portable advantages. The Mini printer can work on a lot of locations, such as the TAXI bill printing, administrative fees receipt printing, post receipt printing, restaurant ordering information printing, online payment information printing, etc. With the rapid popularity of smart-mobile, tablet and so on, Mini printer will be more widely used in the near future.



Packing Details



Power adaptor for option:



Shipping

1. Air, Sea, Express (DHL, FedEx, UPS, EMS, TNT and so on)
2. EXPRESS: around 3-7 working days to arrive
3. INTERNATIONAL AIR MAIL: usually around 2-4 days to arrive, will also depend on which destination port
4. By sea: depend on which destination port

Payment

1. T/T in advance
2. Western Union
3. PayPal
4. Escrow
5. L/C

Services

Warranty:

12 months of shipment normally. Some designated models can have as long as 24 months warranty.

RMA Procedure:

If you suspect your product is not functioning properly, please contact us to help determine whether your product is defective within warranty. Once determined defective you will receive an RMA authorization number for repair or replacement. Customers will return the defective product to us. Upon receipt of defective products, warranty verification will include visual inspection and testing for normal wear and tear, alteration, and functional compliance of the OCOM product. Defective products will be repaired or replaced and shipped via express within 30 days or best effort. Customers will not be charged for warranty repairs. However, if a returned product does not meet warranty verification then testing, repair, and/or shipping



fees may apply.

Dead-on-Arrival (DOA):

Any product found to be defective within 30 days of shipment shall be deemed Dead on Arrival (DOA). DOA products will be advance replaced and shipped via express.

About US

OCOM Technologies Limited is a professional supplier specialized in POS and Auto-ID applications. OCOM has an experienced professional teams from marketing, R&D, quality control, and production to sales service. Based on our fast professional service, reliable quality, competitive price, and flexible cooperation modes, we would like establish stable and reliable partnerships with customers all over the world.



Production capacity

We have great production capacity; we can produce thousand of printers and barcode scanners per day. Normally, our lead time between 1-5 days.

Relevant documents:

*[Specification](#)

*[Driver for Windows](#)

*Bluetooth Printdemo(Application Software demo)

*[SDK for Android](#)

*[CD Files](#)