

## 20 Characters Per line POS LCD Customer Display

(Model No.: LCD220)



### Features:

20 characters per line LCD display

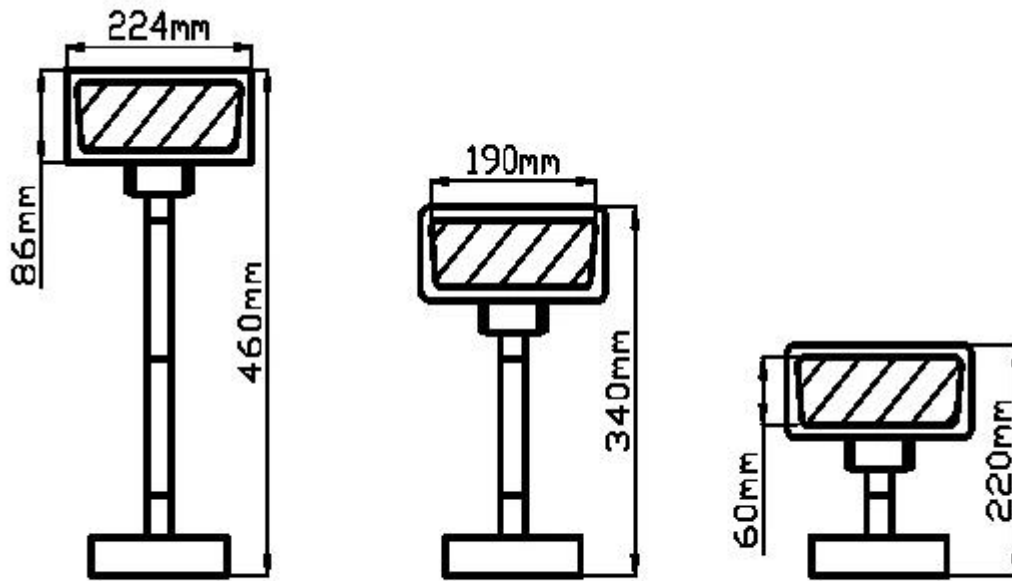
Pole height is adjustable

Support multiple national languages

### Specifications:

Communication	
Interface:	USB or RS232 port
Baud rate:	9600bps
Brightness:	2000cd
Data bit:	8bit
Stop bit:	1bit
Handshake signal:	No
Electrical:	By the power of the host computer USB 5V
Display:	LCD white characters display
Display characters:	2 lines x 20 characters / line
Display area:	190mm(L) x 60mm(W)
MTBF:	25,000 hours
Command	ECS/POS and CD5220
Languages	All languages based on the Latin alphabet
Dimensions	
Panel dimensions:	224*86 mm
Support dimensions:	Long support: 460mm (Contain base) Short support: 224mm (Contain base)
Pitching move angle:	15-120°, Can provide comfortable, and adjust the visual Angle
Weight:	1.2Kg (gross)

Environment	
Operating Temp:	-40~50 A18
Storage Temp;	-60~80 A19
Operating Humidity:	30~85%
Storage Humidity:	30~90%
Command Set	
Adopting international standard general command ESC/POS, Its can used in DOS or Windows System Environment	
With the function of opening the cash drawer All direction adjustable.	





## FAQ

### 1. MOQ policy

No MOQ limitation for the standard products, but the unit price is different, bigger quantity better price.

For customized production, you can discuss the MOQ with our sales representative directly.

### 2. Sample Availability & Policy

After customers confirmed the specification, we are very glad to provide samples for testing and qualification.

All samples should be paid before shipment, the samples price is a higher than mass order. When the mass order placed, we can return you the samples cost, or send you more piece products with the shipments.

You can buy the samples from us directly using t/t, western union, or paypal. And you can also buy it on our online store at

aliexpress:[http://www.aliexpress.com/store/403448?tracelog=minisite\\_CI](http://www.aliexpress.com/store/403448?tracelog=minisite_CI).

### **3. Warranty**

OCOM is dedicated to providing most cost-effective products and services with reliable quality that will meet customers' satisfaction;

We were qualified by a global Fortune 500 company, and we have the top 1 level trade assurance which 100% protects your money and lead time.

Our warranty of the products is about 12+1 months from the shipment normally, some designated models can have as long as 24 months warranty;

Any product within 30 days of delivery failure occurs shall be deemed invalid delivery (DOA). DOA products will give priority to the replacement, and shipped by courier.

For mass order, we would like to supply some spare parts with shipment for local quick repair. And after that, you can return failure parts for rework and analysis.

### **4. Payment Terms**

For mass order, you can pay us by using T/T, LC, Western Union, Escrow or others. About sample order, T/T, Western Union, Escrow, Paypal are acceptable. Escrow Service is powered by Alipay.com. Currently, you can pay using Moneybookers, Visa, MasterCard and bank transfer. You can also pay with select debit cards including Maestro, Solo, Carte Bleue, PostePay, CartaSi, 4B and Euro6000.

### **5. Shipment**

We accept all kinds of shipping ways including: express, air, sea, truck, or pick up by customers personally.

### **6. Customer**

Our main customers from European, Australia, and the fast growing South America, Africa, Russia...

We have served more than 1300 customers from 133 countries, including the global Fortune 500 company like Unilever, O2.....50 of them are the biggest distributor in the local territories.

## **Why You Choose Us**

### **Why You Choose OCOM?**

Leading One-Stop POS and Auto-ID Related Products Supplier Qualified by Global Fortune 500 Companies

Tier 1 customers including Unilever, O2, Star...

1500+ Customers Cover 133 Countries;

9 Years OEM/ODM Experience.

Top 1 Level Trade Assurance in POS industrial guarantee quality and shipment date  
Fast responses and professional service  
FCC, CE , Soncap, POA, BIS, and other Certificates  
12+1 months warranty.  
Shortlisted in "China Best Employer Award"  
Belief: Integrity Based, Strive for Excellence, Win-win Cooperation